

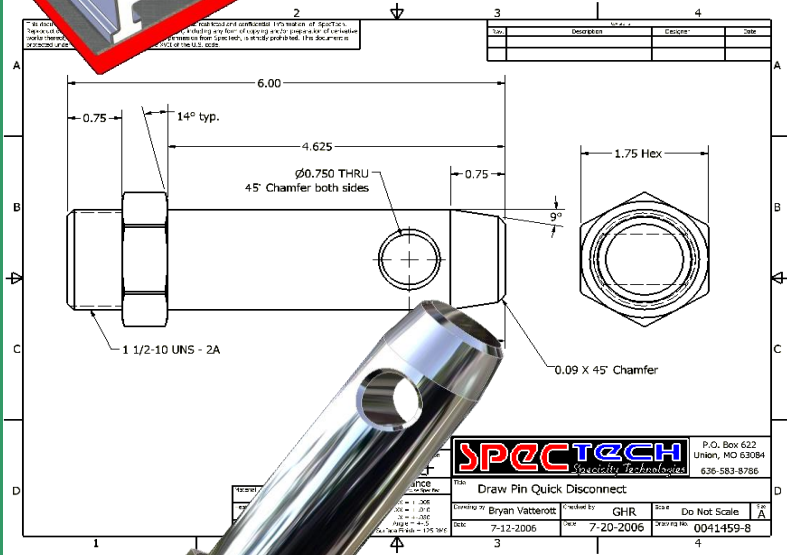
# Parallel Tool & Die, Inc.

P.O. Box 622  
Union, MO 63084

Engineering

[www.parallelanddie.com](http://www.parallelanddie.com)

Phone 636-583-8786



Parallel Tool & Die's professionals can handle all your engineering requirements. The first step is meeting and listening to the customer to define their needs and concerns. Using our decades of experience in tooling and manufacturing to present the customer with a cost effective solution. Solid model and detail drawings are provided for approval before machining.

Turnkey packages for molding and stamping dies. Turnkey fixturing and machining solution adapted to new or existing machine tools. Special machine design build and integration. Part runoff at our facility before delivery to the customer.

## Parallel a company INLINE with your needs

- Design
- Engineering
- Product development
- Manufacturing R & D
- Fixture Design
- Process development
- Special Machine Design
- Product Manufacturing Study
- MFG. Consulting
- Electrical
- Pneumatic
- Hydraulic
- Robotics

### Mechanical Engineering

- PLC controls and logic
- Electrical
- Pick & Place units
- Pneumatic
- Hydraulic

- CAD Inventor 2017
- CAD VISI
- CAM Inventor HSM
- CAM EdgeCAM
- CAM VISI

We are able to open most engineering and drawing application files. We also retain outside design sources with extensive resources at their disposal.

